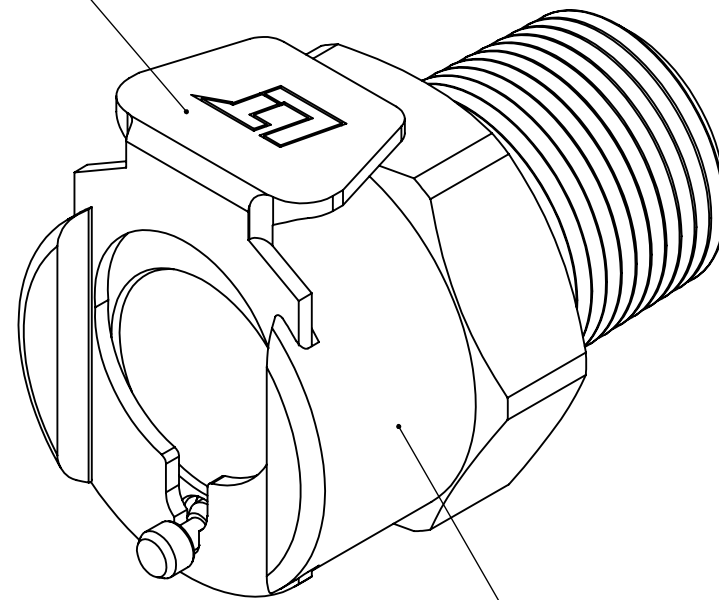
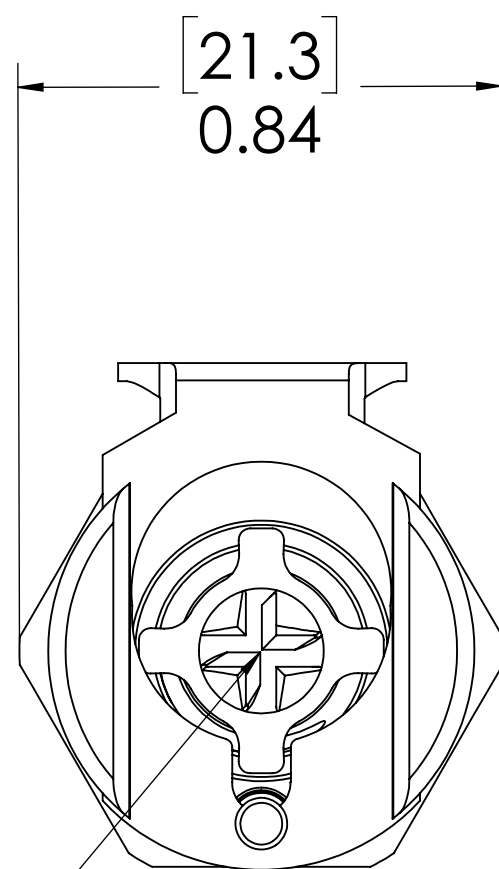


REVISIONS						
SHEET	ZONE	REV.	ECO	DESCRIPTION	DATE	APPROVED
ALL	ALL	A	50242	REPLACE C101 AND C106 WITH VP COMPONENTS, UPDATE O-RING TO SMART PART #	8/18/17	HRC

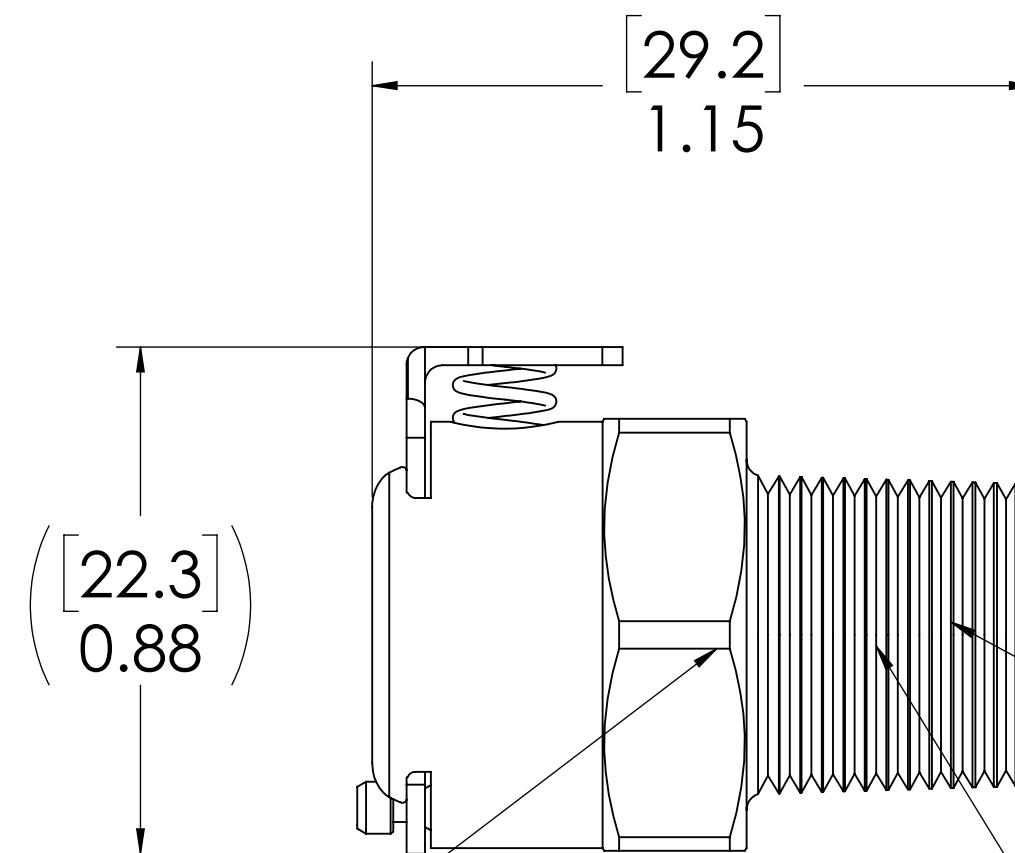
**LATCH HARDWARE  
(STAINLESS STEEL)**



**SOCKET  
(BRASS, CHROME PLATED)**



**VALVE  
(ACETAL)**



**VALVE SPRING  
INTERNAL  
(STAINLESS STEEL)**

**1/4" NPT  
(PIPE THREAD)**

**VALVE O-RING  
INTERNAL  
(BUNA-N)**

**NOTES:**

1. MATERIAL: BRASS
2. FINISH: CHROME
3. O-RING MATERIAL: BUNA-N
4. O-RINGS LUBRICATED WITH FOOD GRADE SILICONE OIL, 350 CST.

**FOR REFERENCE ONLY**

<small>UNLESS OTHERWISE SPECIFIED: DIMENSIONS ARE IN INCHES TOLERANCES: FRACTIONAL ± 1/32 ANGULAR, MACH ± 0.5 BEND ± 2 ONE PLACE DECIMAL ± 0.1 TWO PLACE DECIMAL ± 0.01 THREE PLACE DECIMAL ± 0.005 TWO PLACE DUAL (mm) [± 0.12]</small>	DRAWN	CKE	8/11/17	
	CHECKED	XXX	XX/XX/XX	
	ENG APPR.	HRC	8/18/17	
	MFG APPR.	BDB	8/18/17	
<small>PROPRIETARY AND CONFIDENTIAL THE INFORMATION CONTAINED IN THIS DRAWING IS THE SOLE PROPERTY OF LINKTECH LLC. ANY REPRODUCTION OR DISCLOSURE IN PART OR AS A WHOLE WITHOUT THE WRITTEN PERMISSION OF LINKTECH LLC IS STRICTLY PROHIBITED.</small>	Q.A.	JJB	8/18/17	<b>PART NO:</b> <b>40CBV-SB1-04</b>
<small>COMMENTS:</small>				<b>DESCRIPTION:</b> <b>LinkTech 40CB Series Male Thread, Female, Valved, 1/4" MNPT, Chrome Brass</b>
<b>SIZE</b>		<b>DWG. NO.</b>		<b>REV</b>
<b>C</b>		<b>40CB400225</b>		<b>A</b>
<b>SCALE:</b> NTS		<b>WEIGHT:</b>		<b>SHEET 1 OF 1</b>